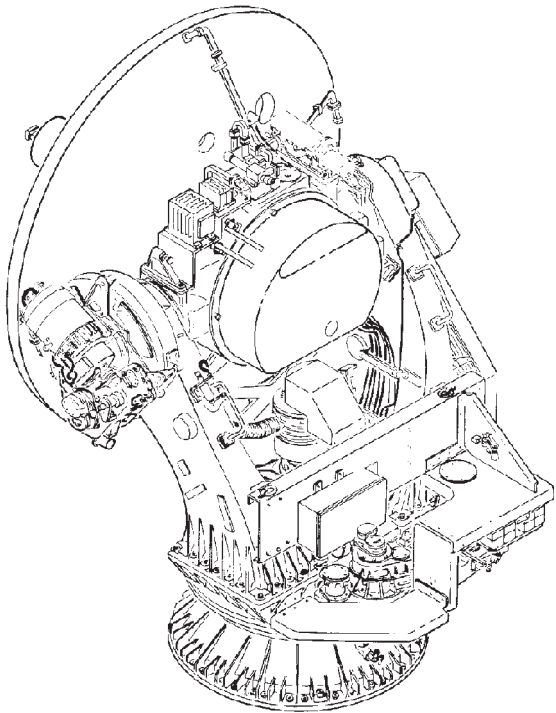
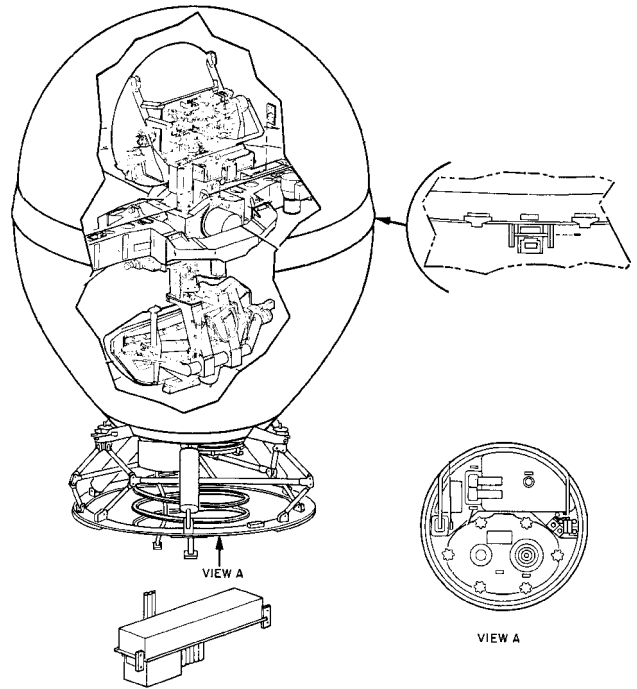


Mk 92 Fire Control System



Separate Target Illumination Radar



Combined Antenna System

Variants

Mk 92 Mod 0

- Gun and missile control:
- 1 air engagement channel
 - 2 surface-search, TWS channels

Mk 92 Mods 1 and 5

- Gun only:
- 1 air engagement channel
 - 2 surface-search, TWS channels

Mk 92 Mod 2

- Gun and missile control:
- 2 air engagement channels, including STIR with Mk 107 console
 - 2 surface-search, TWS channels

Mk 92 Mod 6

- Gun and missile control:
- 2 air engagement channels, including STIR with Mk 107 console and (coherent receiver/transmitter CORT) transceiver
 - 2 surface-search, TWS channels

Ship Application Fast attack crafts, corvettes, cutters, and frigates

Weights

Above deck:	
Mods 0 and 1	865 kg (1,905 lb)
Mod 2	6,866 kg (2,866 lb)
Below deck:	
Mod 0	4,121 kg (9,086 lb)
Mod 1	2,557 kg (5,637 lb)
Mod 2	15,848 kg (7,189 lb)

Radio frequency	8-10GH3 (X-band)
Pulse width	0.22 and 0.45 microseconds
Pulse/seconds	1800 and 3600
Antenna rotation rate	60 rpm
Peak current	120 kVA

STIR Antenna

Diameter	100 inches
Turning radius	78 inches
Height (with pedestal)	138 inches

CAS Search/Track Antenna

Diameter	96 inches
--------------------	-----------